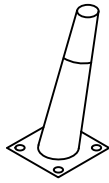


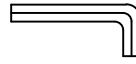
# ASSEMBLY INSTRUCTION (SP190)



A\*4

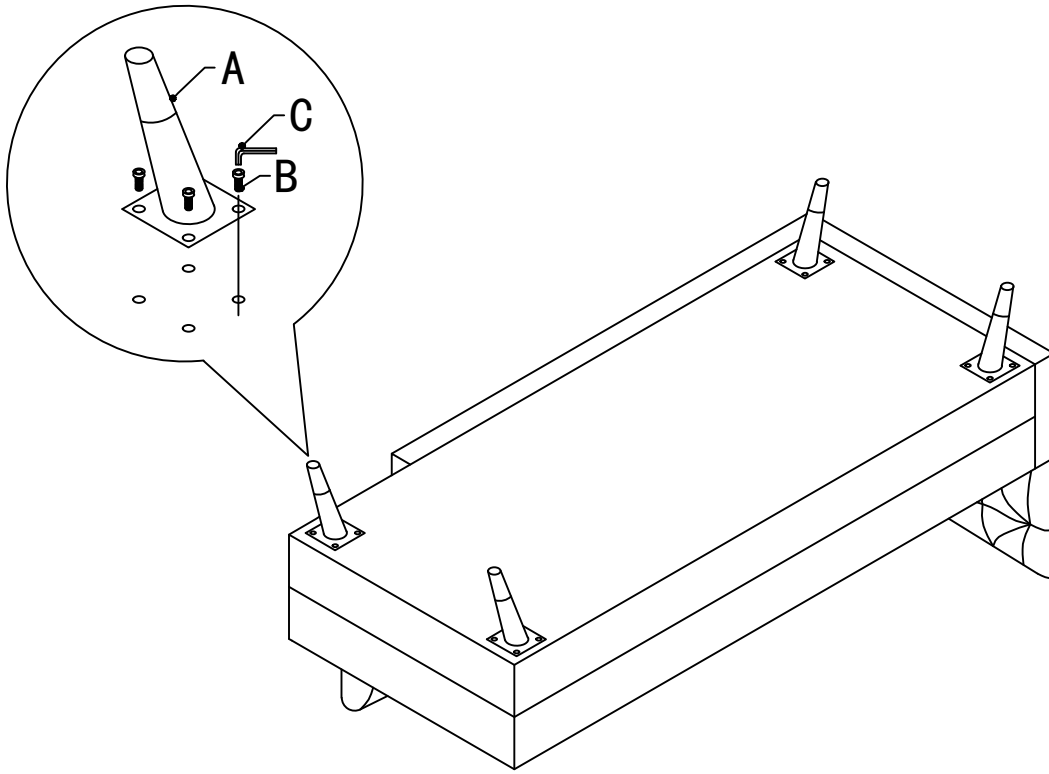


B\*16



C\*1

1



2

