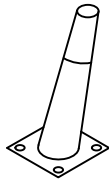


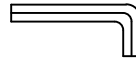
ASSEMBLY INSTRUCTION (SP190)



A*4

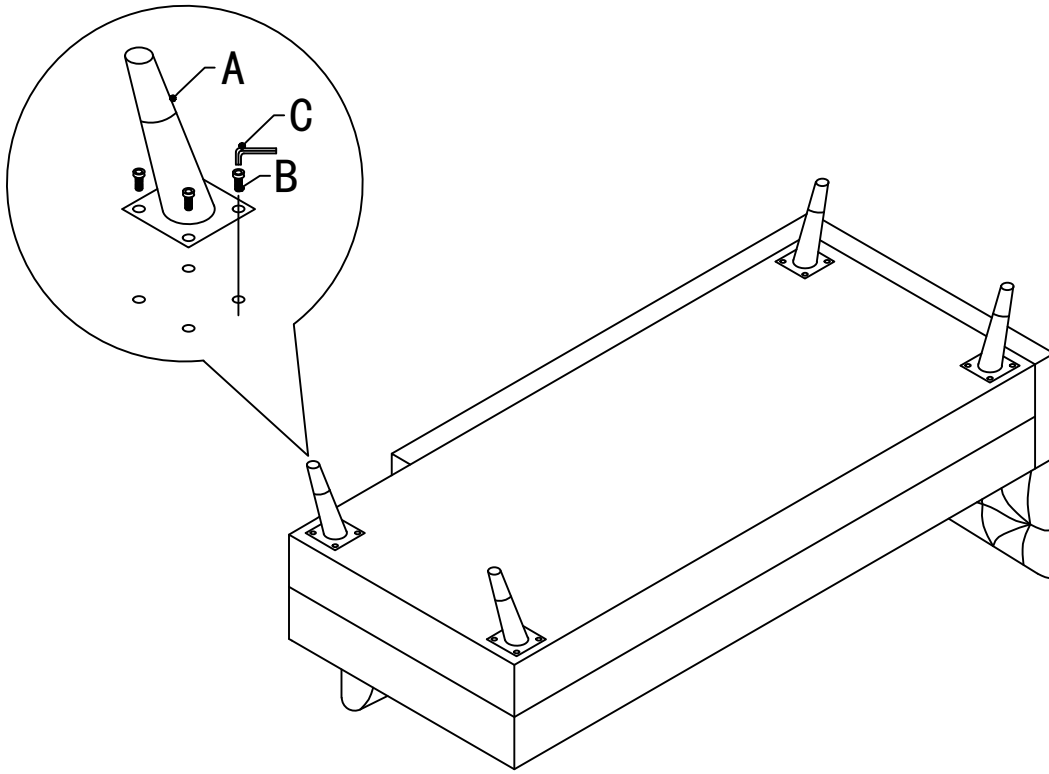


B*16



C*1

1



2

