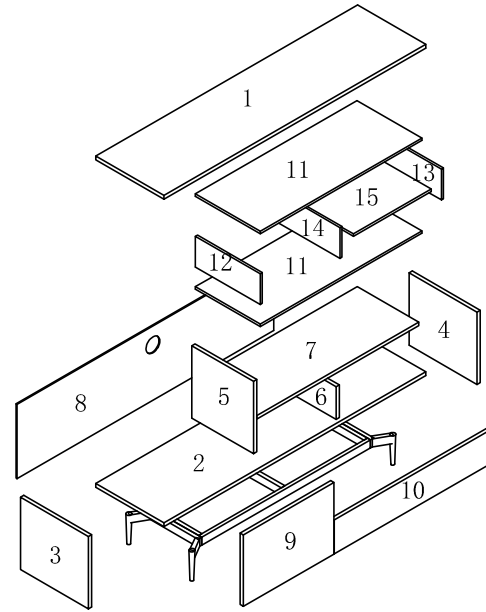
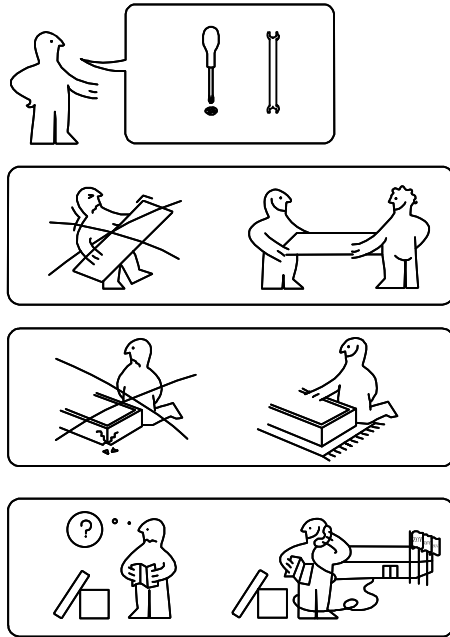
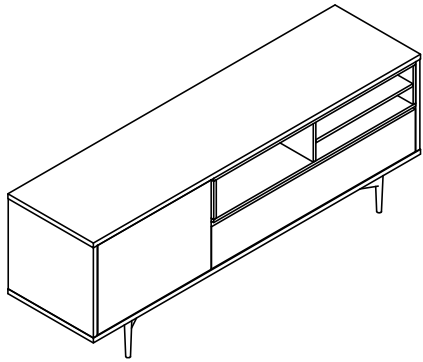


B009GT11

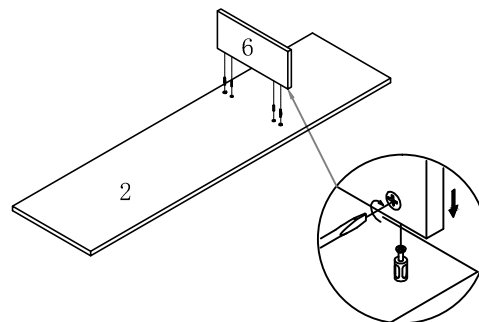


NO.	SIZE	QTY
1	1521*396*19	1
2	1521*396*19	1
3/4	364*395*19	2
5	364*358*18	1
6	164*358*18	1
7	942*358*18	1
8	1491*374*5	1
9	527*360*19	1
10	948*170.5*19	1
11	939*377*12	2
12/13	155*377*12	2
14	155*376*12	1
15	451.5*376*12	1

A	L=42mm	φ15*13.5
4set	20pcs	20set
D	φ8*30	E
20pcs	φ6*30	F
	6pcs	M7*38
10pcs		
G	M6*16	I
1set	8pcs	1set
J	K	L
4set	1set	M6*32
4pcs		
M		
1pcs		

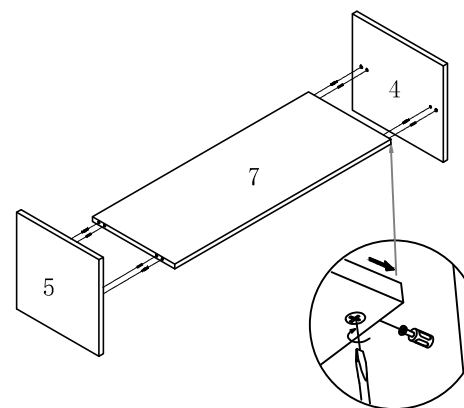
STEP 1:

B	φ15*13.5	D
M6*H42	2pcs	φ8*30
		2pcs



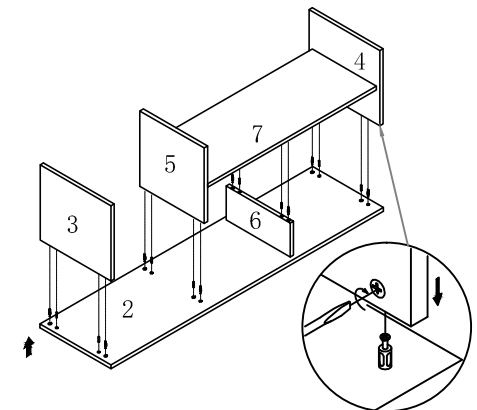
STEP 2:

B	φ15*13.5	D
M6*H42	4pcs	φ8*30
		4pcs

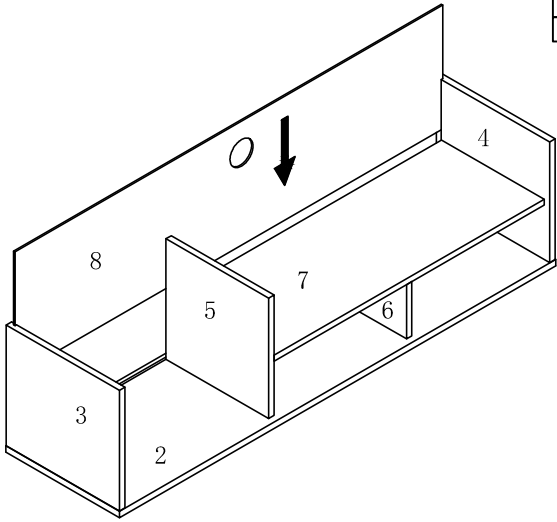


STEP 3:




B	φ15*13.5	D
M6*42	8pcs	φ8*30
		8pcs

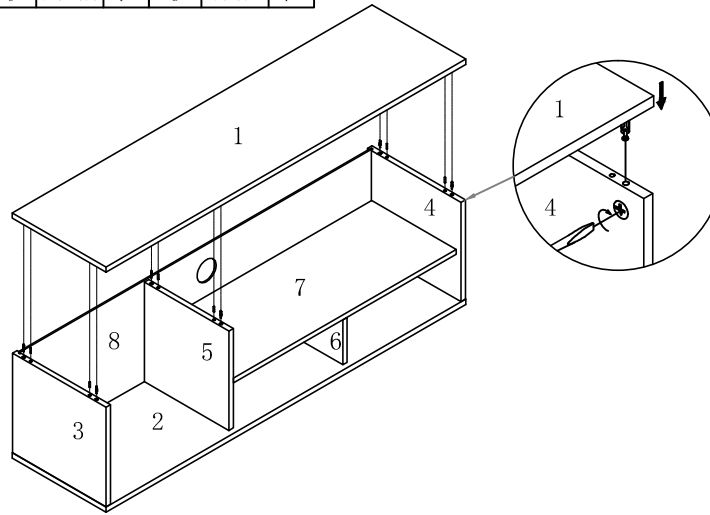


STEP 4:




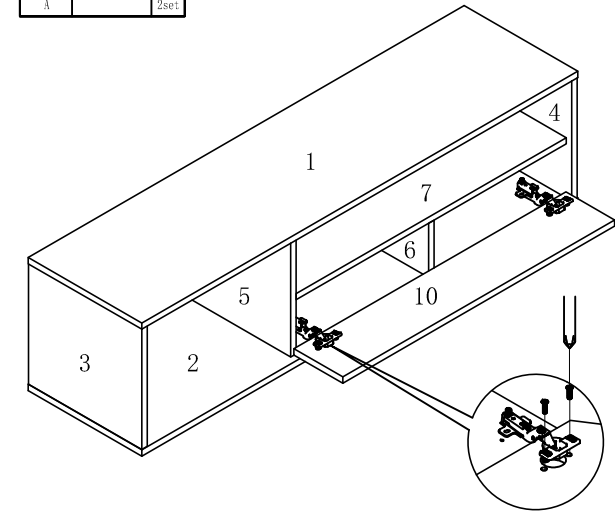
STEP 5:

					
B	M6*H42 6pcs	C	φ15*13.5 6pcs	D	φ8*30 6pcs





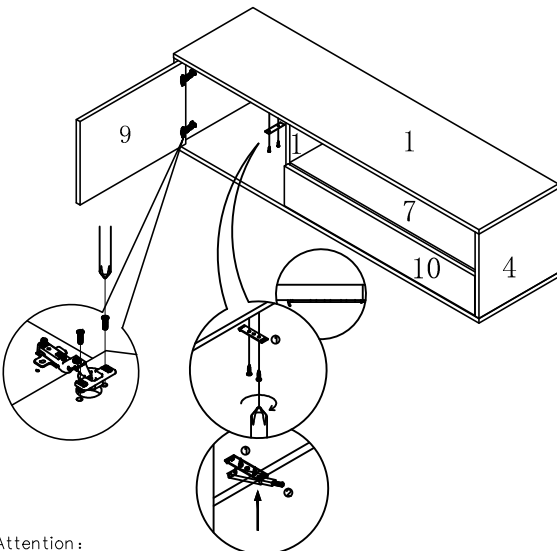
STEP 6:

	
A	2set






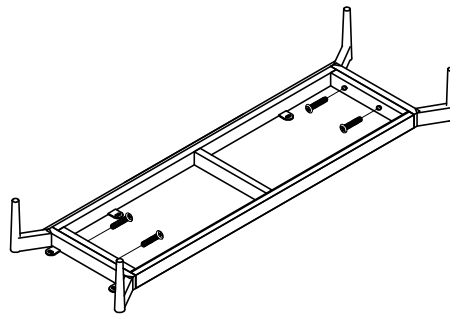
STEP 7:

				
A	2set	I	/	1set






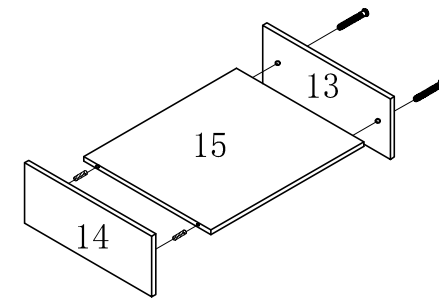
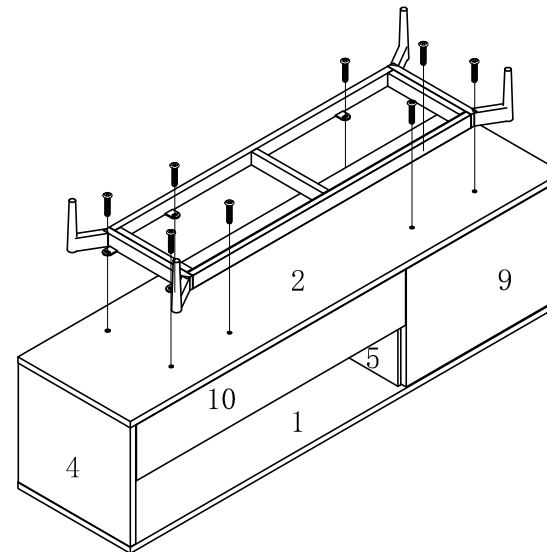
STEP 8:

						
H	M6*16 8pcs	K	/	1set	L	M6*32 4pcs



STEP 9:

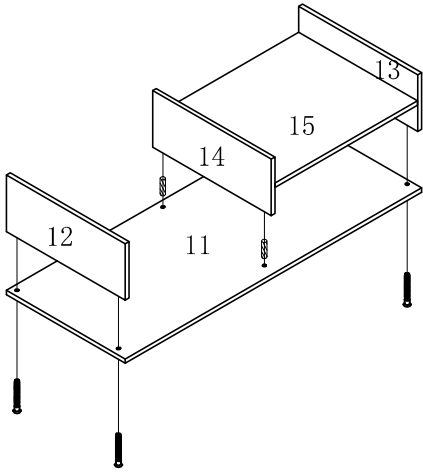
						
E	φ6*30 2pcs	F	M7*38 2pcs	M	/	1pcs



Attention:
 1. Please align the ① hardware with the edge of the shelf and fix with screws.
 2. Use ② to clip ① up as shown above.

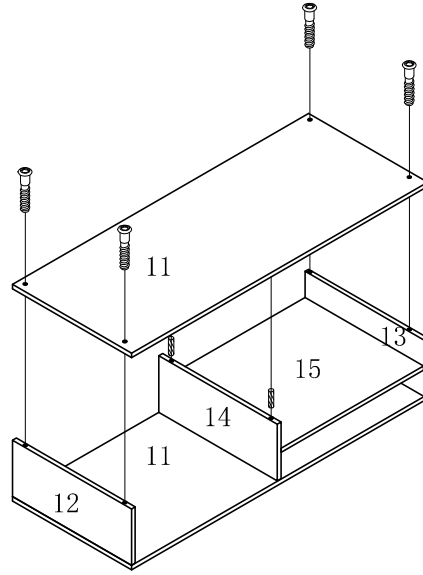
STEP 10:

E	Φ6*30	2pcs	F	M7*38	4pcs	M	/	1pcs

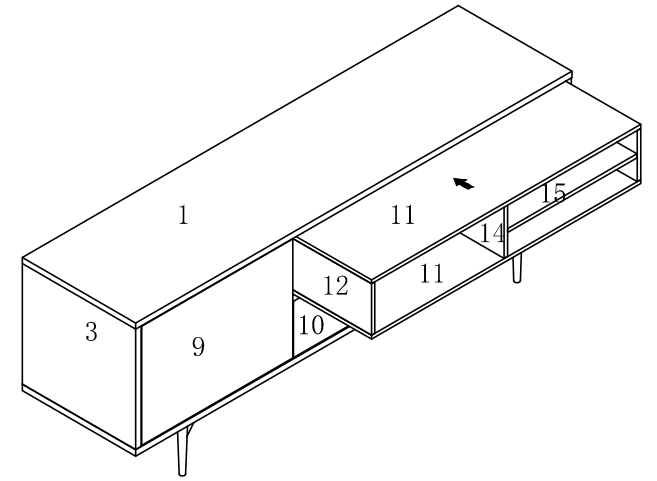


STEP 11:

E	Φ6*30	2pcs	F	M7*38	4pcs	M	/	1pcs

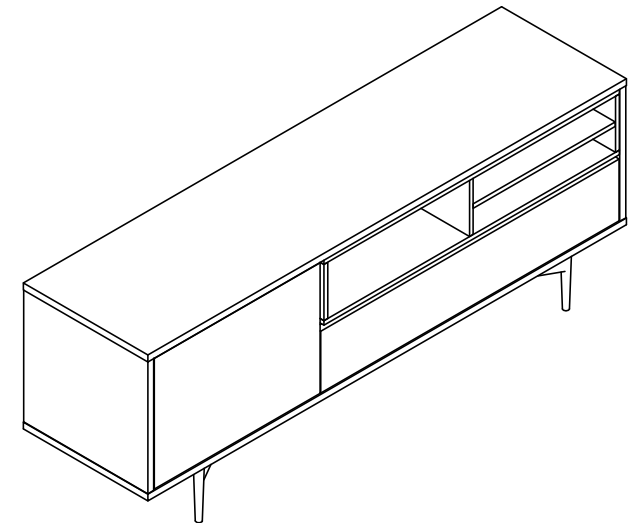
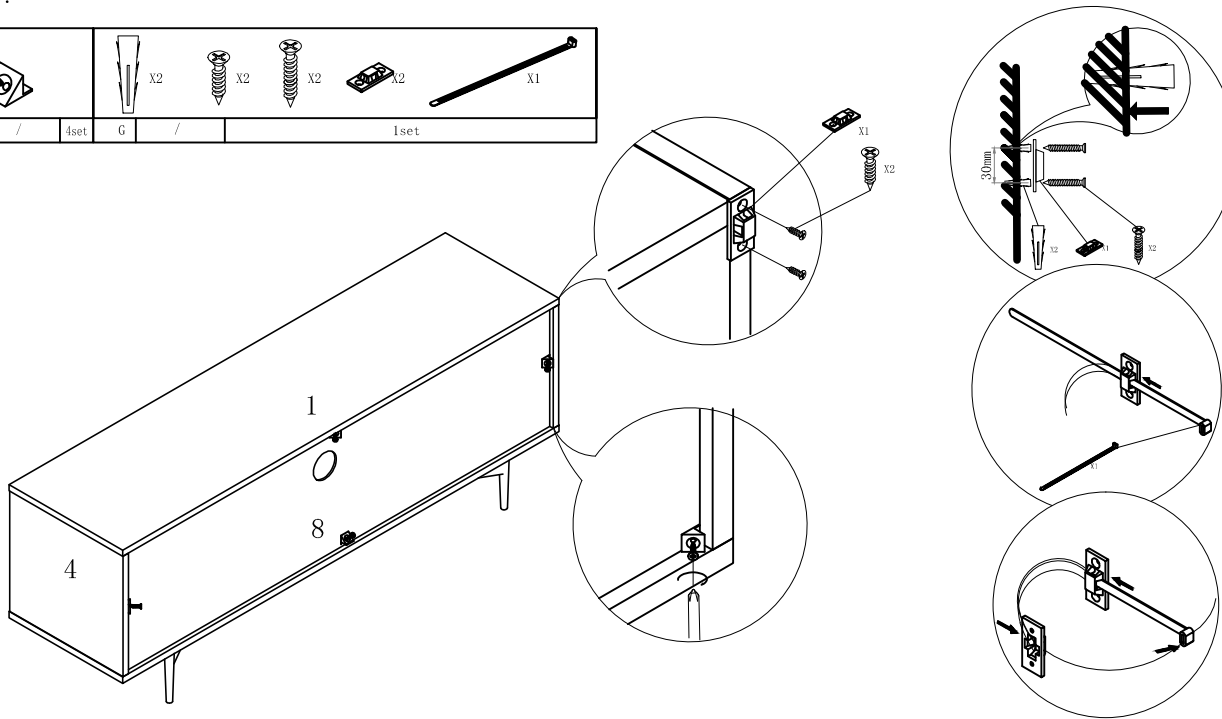


STEP 12:



STEP 13:

J	/	4set	G	/			1set



Finish