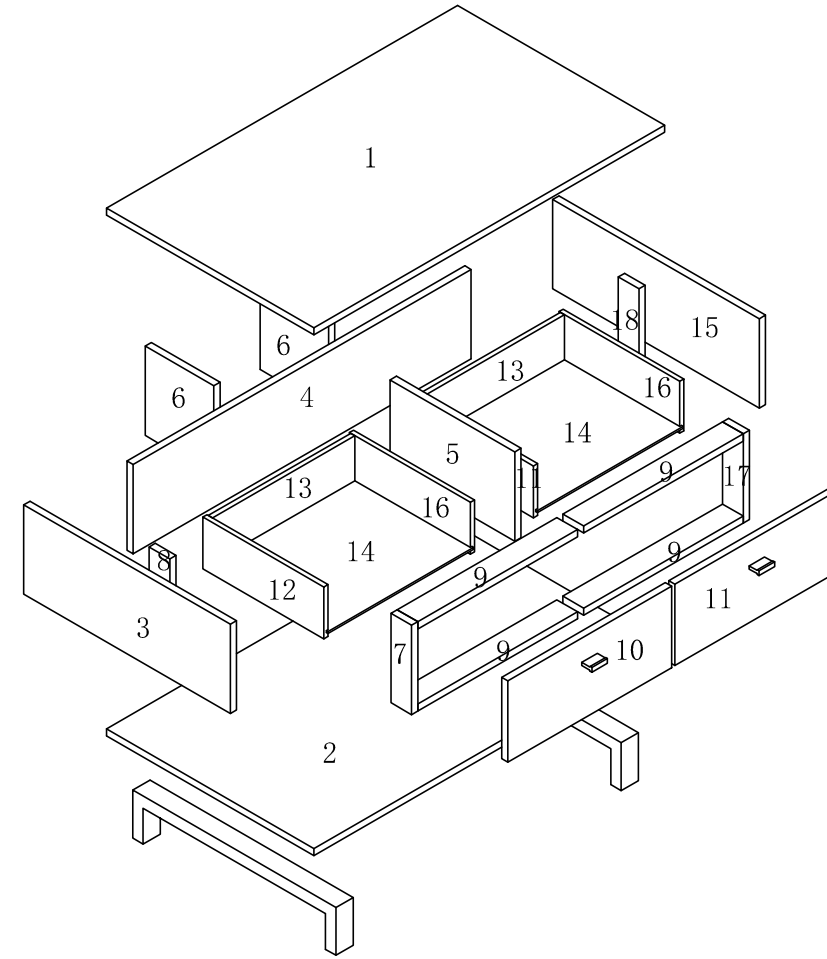
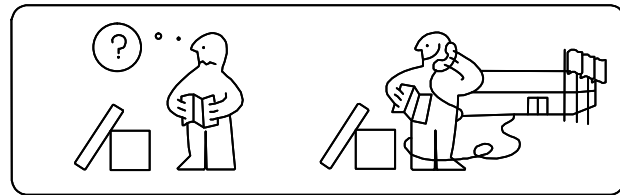
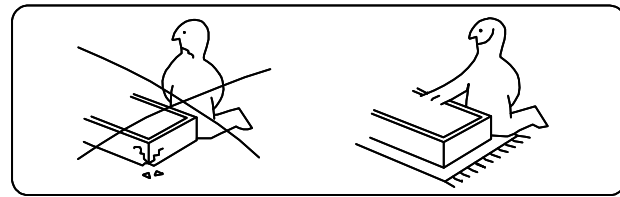
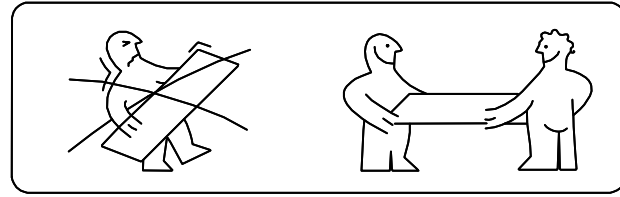
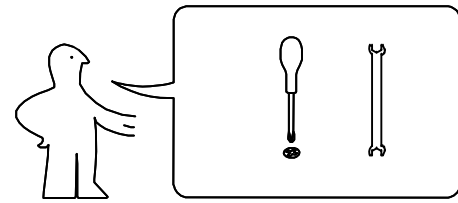
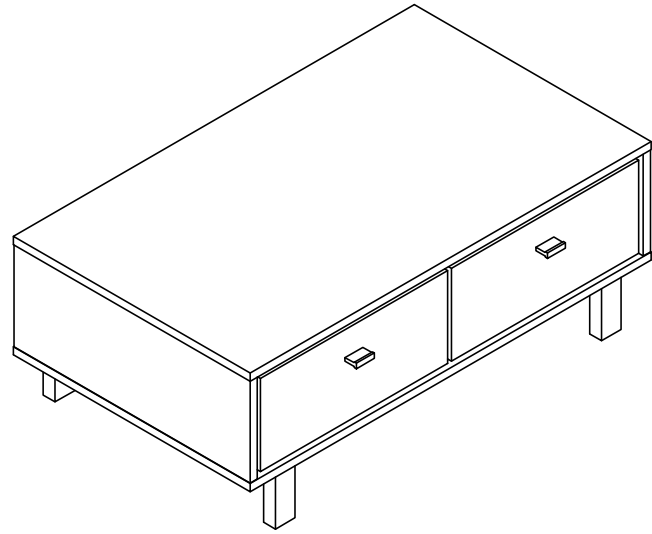


B015TC801
Side Board



NO.	SIZE	QTY
1	1016*600*18	1
2	1016*600*18	1
3	224*598*18	1
4	978*224*18	1
5	224*361*18	1
6	224*198*18	2
7/17	224*60*18	2
8/18	224*60*18	2
9	462*60*18	4
10/11	474*204*18	2
12	350*130*12	2
13	412*130*12	2
14	422*344*5	2
15	224*598*18	1
16	350*130*12	2

A W45D29H11.5 2pcs	B M4*22 4pcs	C M6*42 38pcs
D ϕ 15*13.5 38pcs	E M8*30 20pcs	F M3.5*12 16pcs
G ϕ 4*30 8pcs	H ϕ 12*18 8set	I M6*32 16pcs
J M6*40 4pcs	K 300mm 2PA	L W588D50H120 2PCS

STEP 1:

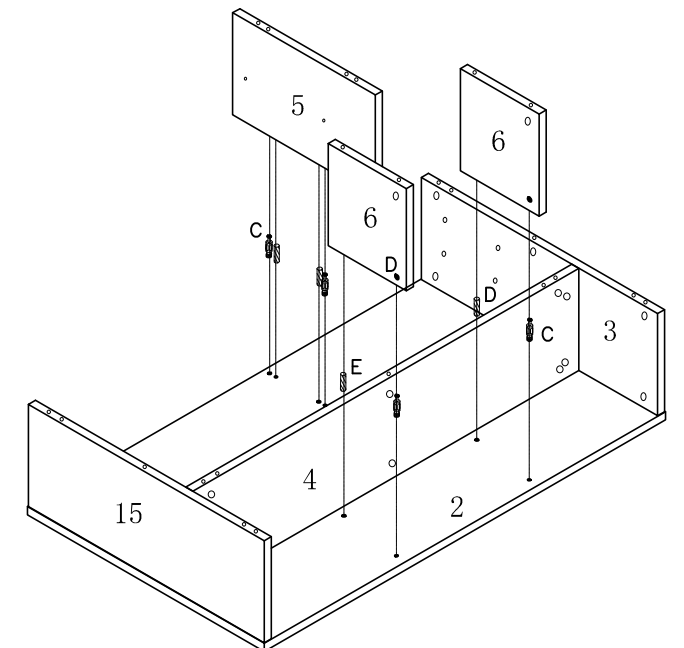
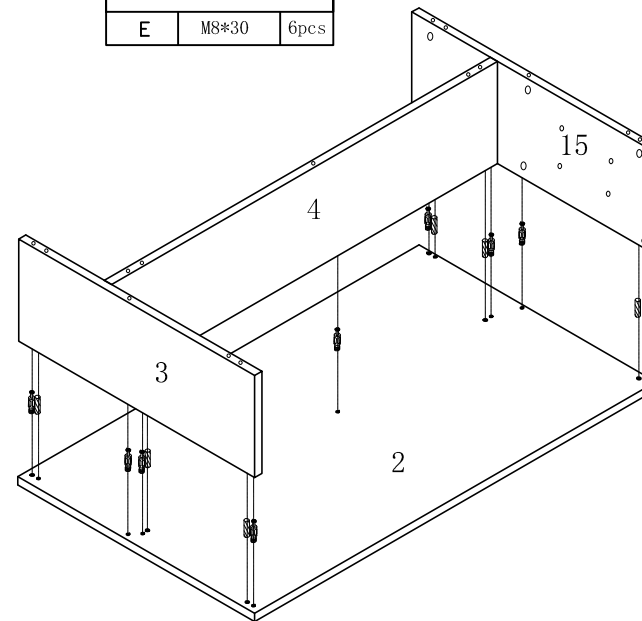
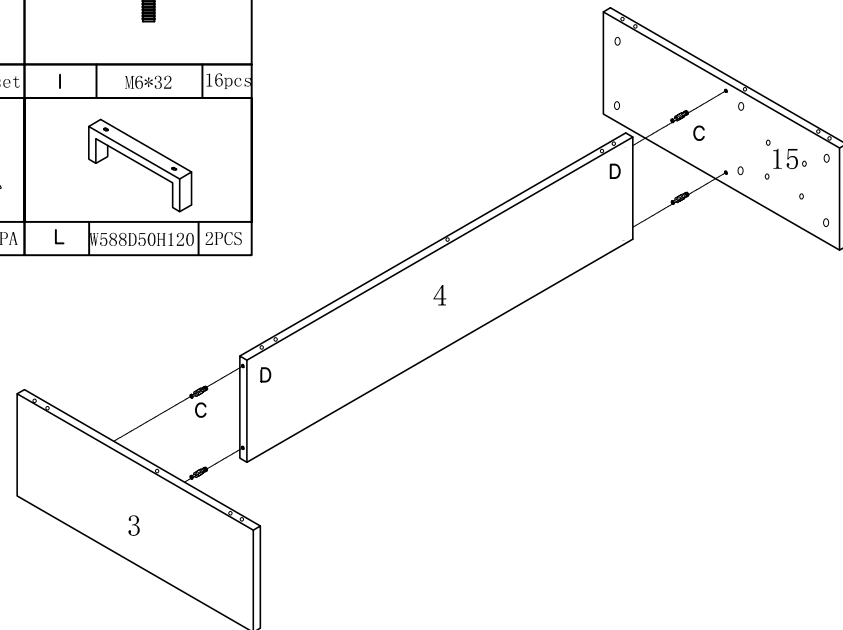
C M6*42 4pcs	D ϕ 15*13.5 4pcs

STEP 2:



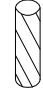
C M6*42 9pcs	D ϕ 15*13.5 9pcs
E M8*30 6pcs	

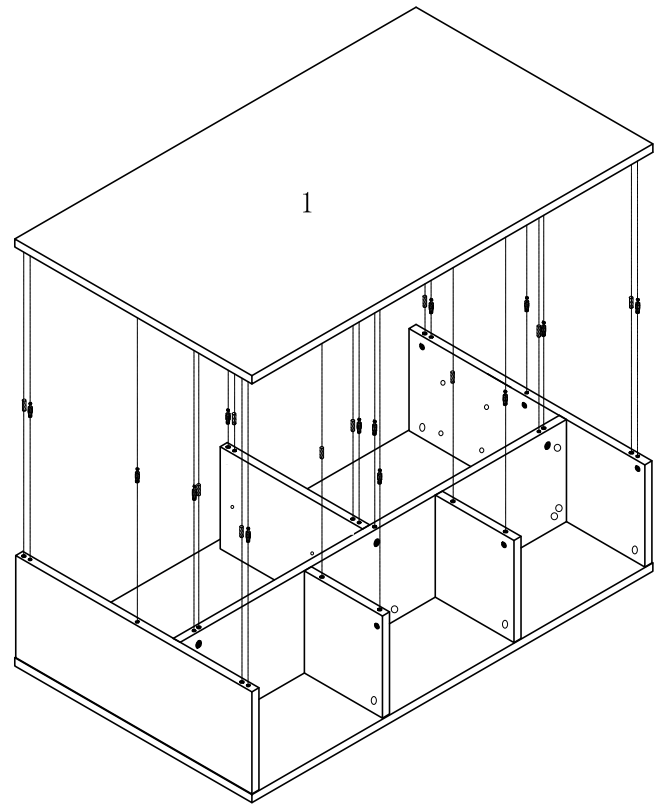
STEP 3:

C M6*42 4pcs	D ϕ 15*13.5 4pcs	E M8*30 4pcs






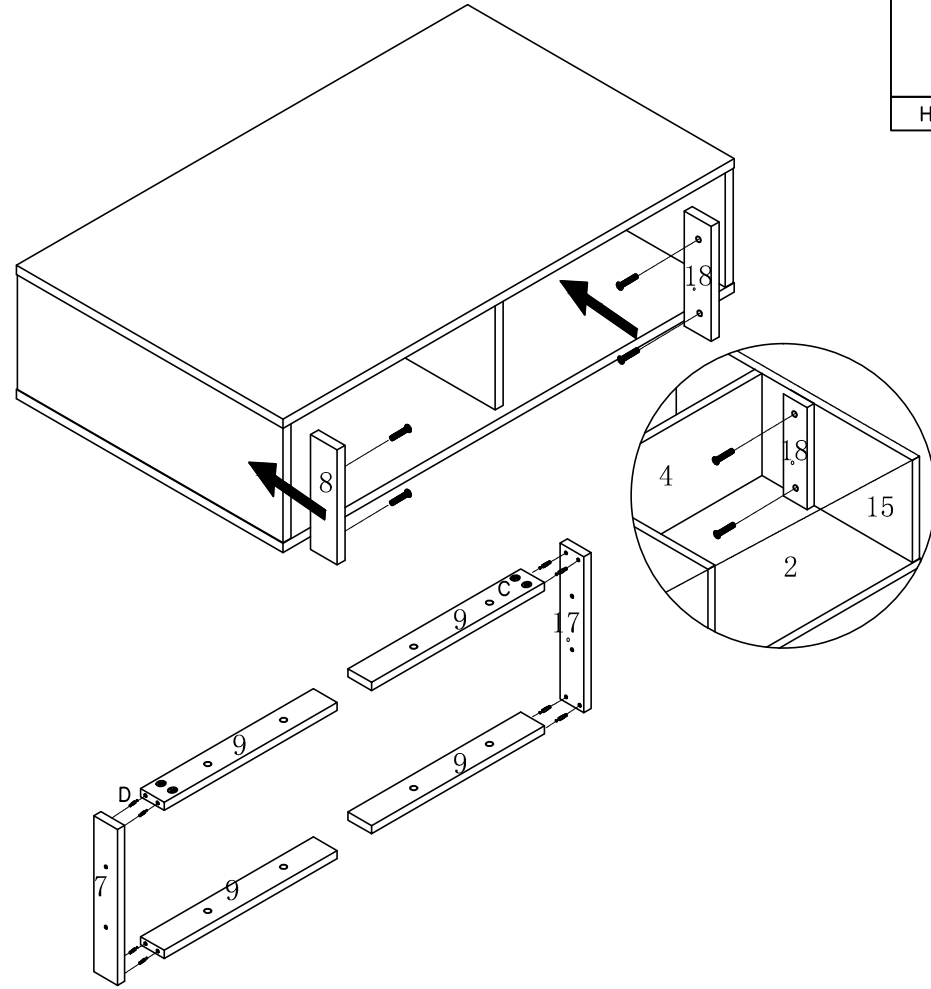
STEP 4:

								
C	M6*42	13pcs	D	φ 15*13.5	13pcs	E	M8*30	10pcs

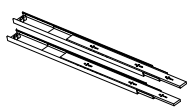




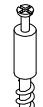



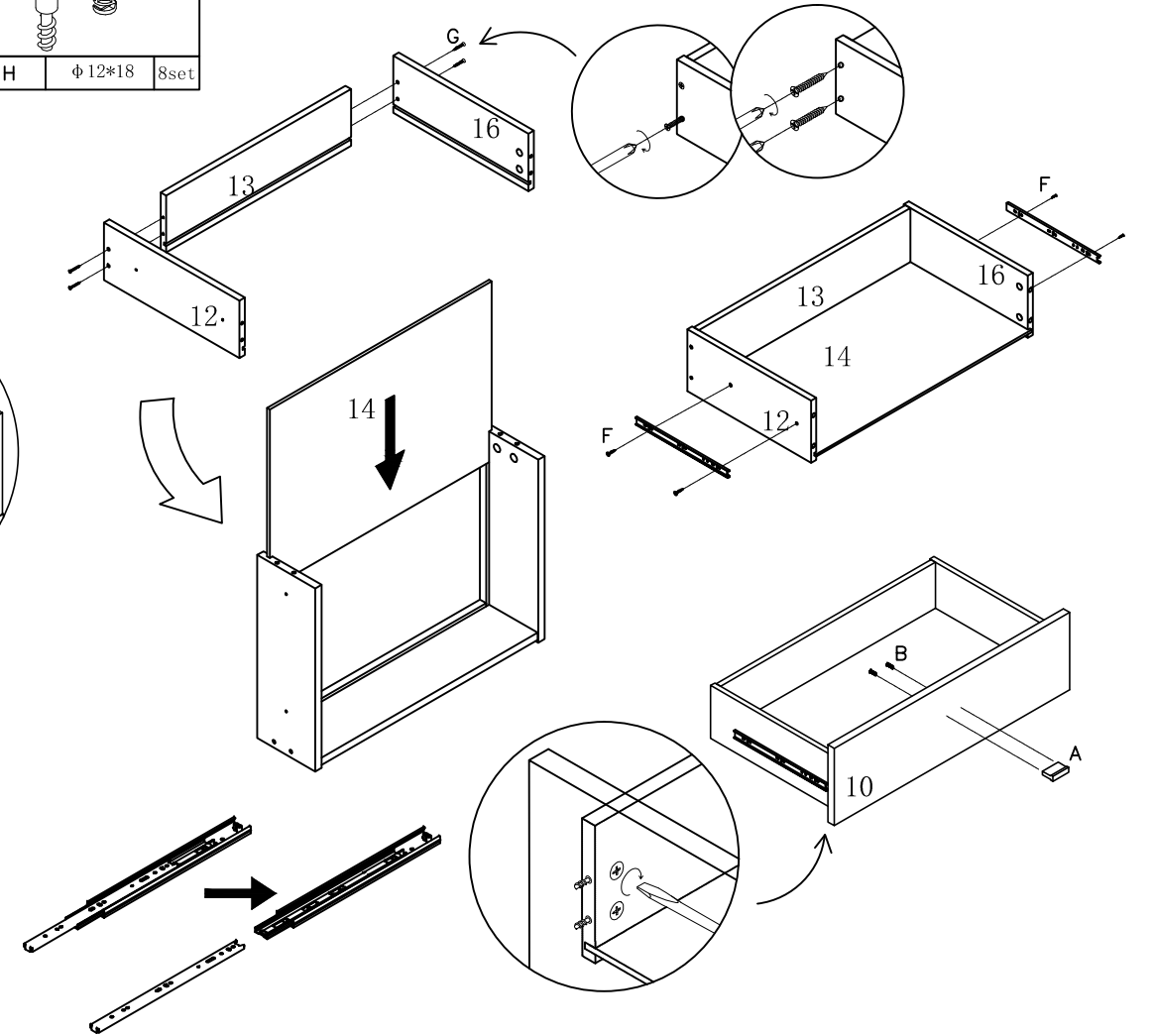
STEP 5:

								
C	M6*42	8pcs	D	φ 15*13.5	8pcs	I	M6*32	4pcs


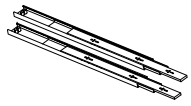



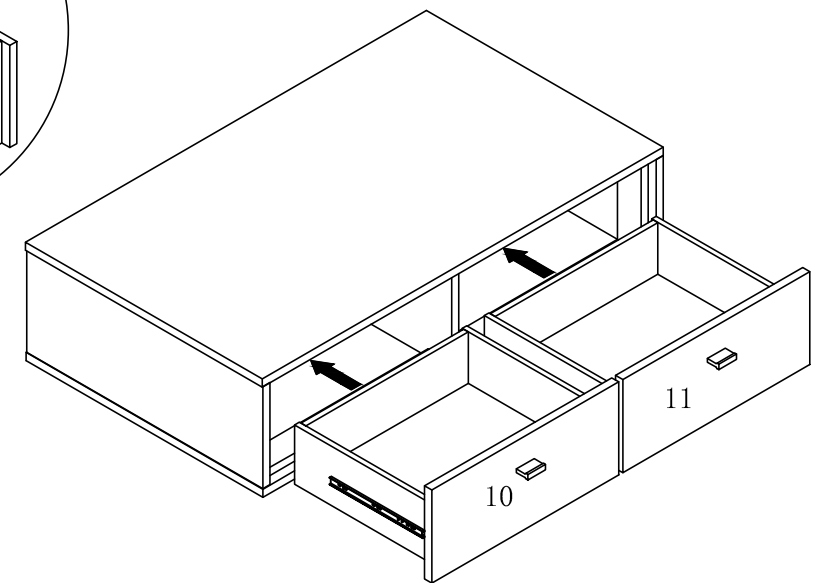
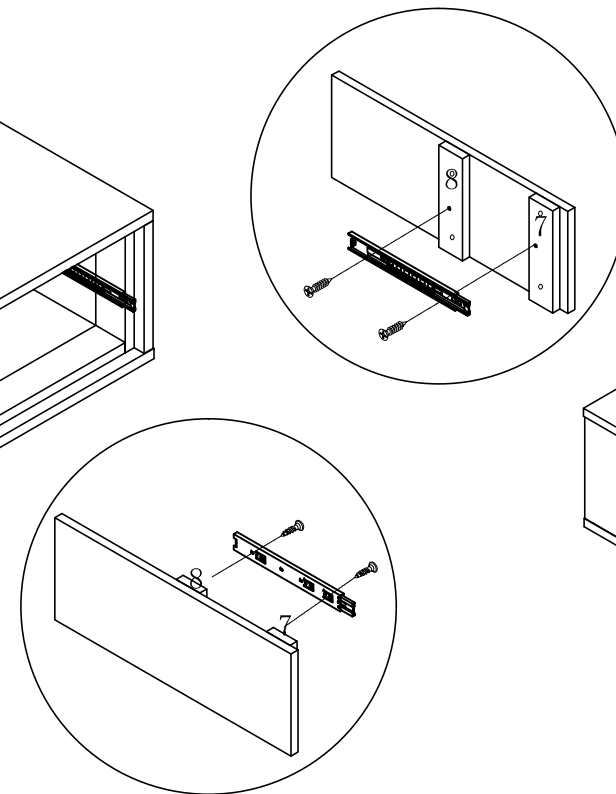
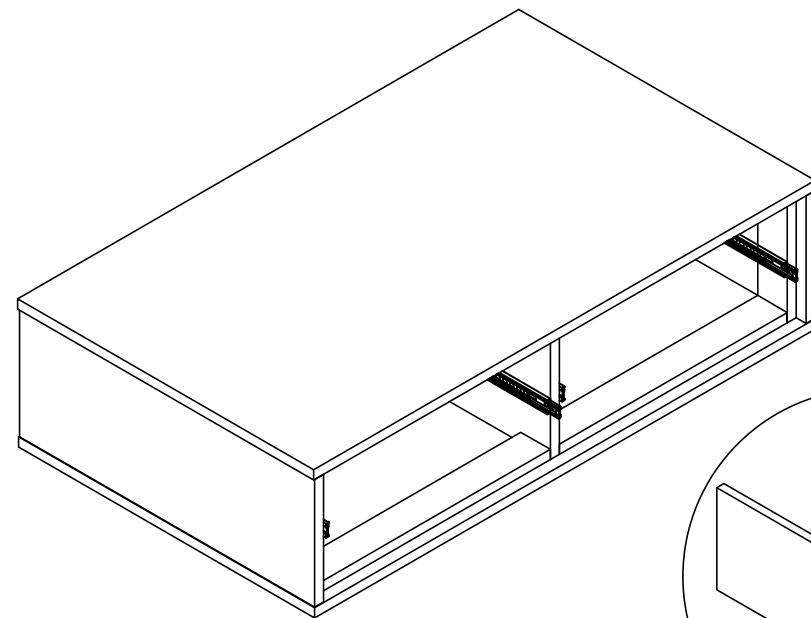
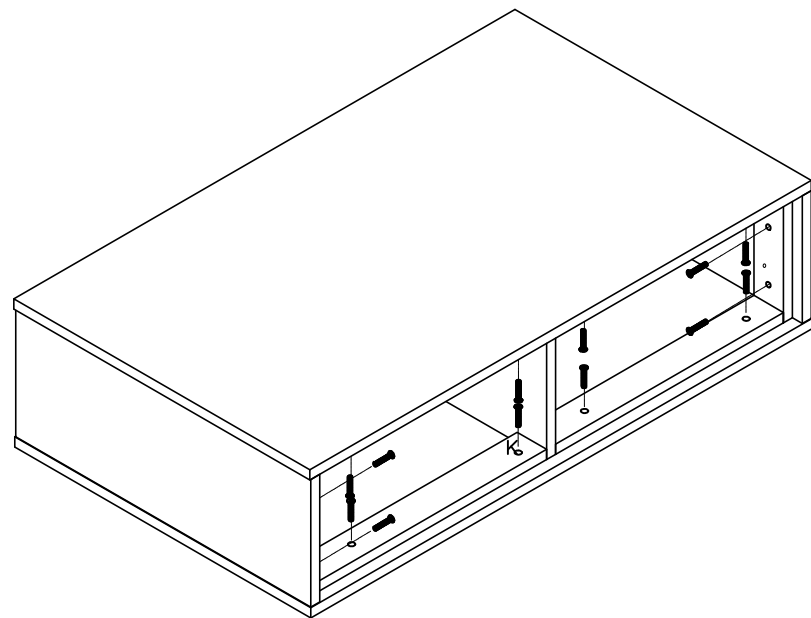
STEP 6:

														
K	300mm	4Pcs	F	M3.5*12	8pcs	G	φ 4*30	8pcs	B	M4*22	4pcs	A	W45D29H11.5	2pcs
														
H	φ 12*18	8set												


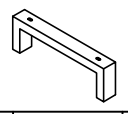


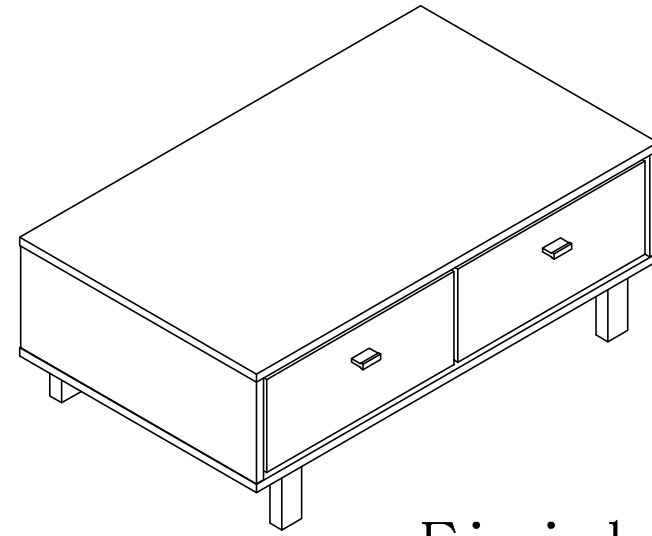
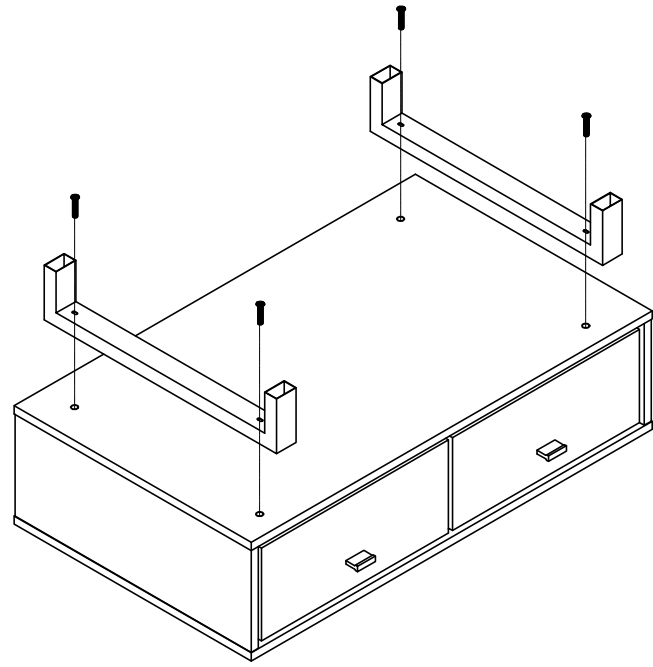
STEP 7:

								
I	M6*32	12set	K	300mm	4Pcs	F	M3.5*12	8pcs



STEP 8:

					
J	M6*40	4pcs	L	W384D50H120	2PCS



Finish